



# JOINT PROJECTS TEAM

## **STRUCTURE A & E DEVELOPMENT PROJECT NC41 BLOCK LIBYAN OFFSHORE**

Invitation for Pre-Qualification

# SEMISUBMERSIBLE RIG SERVICE FOR “E” STRUCTURE

RQ/JPT/023/22



## **SUMMARY**

<b>SUMMARY</b>	<b>2</b>
<b>1. SCOPE OF DOCUMENT</b>	<b>3</b>
<b>2. INFORMATION OF THE ACTIVITY</b>	<b>3</b>
<b>3. MAIN TECHNICAL REQUIREMENTS</b>	<b>3</b>
3.1 REFERENCES	3
3.2 RIG	3
3.2.1 SEMISUBMERSIBLE RIG DRILLING UNIT	3
3.3 PERSONNEL	4
<b>4. MAIN RIG FEATURES</b>	<b>5</b>
4.1 GENERAL INFO	5
4.2 RIG DATA	5
4.3 OPERATING PARAMETERS	5
4.4 STATION KEEPING SYSTEM/S	5
4.5 DRILLING SYSTEMS	5
4.6 MUD SYSTEM	5
4.7 CEMENTING UNIT	6
4.8 RISER SYSTEM	6
4.9 WELLHEAD CONNECTOR	6
4.10 WELL CONTROL EQUIPMENT	6
4.11 TUBULARS	6
4.12 HELICOPTER DECK	6
4.13 ACCOMODATION MODULE	6
4.14 H2S SERVICE	6
ANNEX–Structure” E” Pre-drilling Template Preliminary Design	



## 1. **SCOPE OF DOCUMENT**

Pre-Qualification tender is open for local and international vendors specialized in Provision of Drilling Semisubmersible Rig Service and being strongly supported by professional crew and therefore invited to express their interest by submitting their document and providing the requested information as per following paragraphs.

This document defines only:

- Information for the Planned Activity
- Main Technical Requirements of the requested Drilling Units
- Minimum Requirements of the Drilling Rig Crew.

## 2. **INFORMATION OF THE ACTIVITY**

Mellitah Oil & Gas plans to drill 23 (twenty three) offshore development wells (subsea wet & dry tree wells) in structure E - block NC41,

“E” structure is located in the NC41 Block around 31 km north east of the Sabratha Platform and about 110 km from the closest point on Libyan coast. The **water depth range is around 200 – 250 m (to be confirmed)**, with deviated/horizontal well type. The deepest well is expected to be approximately 5800 m MD (approx. 2600 m TVD). The operations scenario envisages first pre-drilling campaign, then well re-entry, tie-back and completion with a work-over light rig once platform being installed.

Mellitah Oil & Gas intends to pre-qualify drilling contractors which can provide offshore **Semisubmersible Rig service**.

The spud time of the first well is foreseen on Q3/Q4 2023.

Company Operation Bases will be located in Malta and/or Tripoli Province.

The qualified drilling contractor, shall be capable to prove continuous service provision in the last five (5) years.

## 3. **MAIN TECHNICAL REQUIREMENTS**

### 3.1 **REFERENCES**

#### **National Laws, Rule, Regulation & Standard**

All the laws, rules and regulations in force in the area of operation and related to drilling activity shall be applied.

All the international rules and regulations concerning requirements for drilling personnel, drilling rig and relevant equipment, as hoisting equipment, pressure vessels, electric equipment in general and electrical equipment installed in areas classified “hazardous” in particular shall be applied.

### 3.2 **RIG**

#### 3.2.1 **SEMISUBMERSIBLE RIG DRILLING UNIT**

The requested **Semisubmersible Drilling Unit** shall have the capability to operate in a **water depth between 200-250 m (to be confirmed)** and be fitted with a Pollution Prevention system with adequate treatment facilities compliant to requirements coming from Environmental Impact Assessment process to reach the target concerning water quality related to local legislation, International Conventions for offshore discharge.

The drilling Unit shall be moored type and shall have the Class Certificates and valid periodical surveys compliant with the IMO MODU CODE last edition, minimum compliant with the IMO MODU CODE 1989 issued by an International Agency. The Drilling Unit should have the Class notation for drilling system.

The rig shall be provided of:

- Minimum of three mud pumps (preferable four mud pumps, with one unit dedicated for booster line), with min rated input power of 1600HP, designed and manufactured as per API 7K.
- Rotary table max opening has to be 49½”.
- Minimum Class-5 10,000 psi Subsea BOP Stack in compliance with the API Specification 16A and API standard 53 manufactured as per API 16-A.



The hoisting system shall be suitable to hoist and run BOP and Riser to the maximum expected water depth and the heaviest casing load as per above project information.

A Vetco H4 27” wellhead connector is preferred.

In addition to the Subsea BOP Primary Control System, the following BOP Secondary and Emergency Control Systems shall be installed:

- Deadman System as defined by the API Specification 16D
- Autoshear System as defined by the API Specification 16D
- ROV Intervention Interface Panel in compliance with ISO 13628-8/API RP 17H with standard high flow hot stabs.

The accommodation module should have at least 40 beds for Company’s people and third party Company’s service people and shall comply with IMO MODU Code requirements.

### **3.3 PERSONNEL**

Personnel of Drilling Contractor involved in the operation shall be fully trained and skilled to carry out work in a safe and proper manner and hold the necessary authorizations to operate in the requested Country, in accordance with local laws and regulations.

All training courses (BOSIET, H2S, Fire Fighting, First Aid, IWCF) shall be performed by a specialized training centre (OPITO, EPT, etc.).



**4. MAIN RIG FEATURES**

Drilling Contractor is kindly requested to fill in and return the below table assuming info and requirements defined in the above chapters.

**4.1 GENERAL INFO**

Vendor name  
 Vendor previous experience in Country of operation  
 Vendor previous experience in the area of operation  
 Proposed Unit  
 previous experience in the area of operation


**4.2 RIG DATA**

Unit Name  
 Unit type  
 Unit design  
 Year of unit construction  
 Upgrading info  
 Rig class certification (IMO MODU 1989)  
 Environmental protection rig feature  
 Actual Unit Location  
 Actual Unit Status (drilling, Idle.)  
 Availability for this project (specify period)


**4.3 OPERATING PARAMETERS**

Outfitted max water depth capability  
 Minimum water depth capability  
 Variable deck load, drilling and transit mode  
 Crane types and min load

m	
m	
t	
t	

Moonpool Dimensions  
 SS-XMT skidding & handling system

yes/no	
--------	--

**4.4 STATION KEEPING SYSTEM/S**

Type  
 Description of main features.

--

**4.5 DRILLING SYSTEMS**

Op. mode (e.g: single, activity, off-line capability, dual activity)  
 Max static hook load that rig can handle in running casing mode  
 Motion Compensator system  
 Rated capacity compensated  
 Rated capacity locked

:	
t.	
t.	
t	

**4.6 MUD SYSTEM**

H.P. Mud Pumps  
 Total installed  
 Make-type  
 Max rated input power  
 Fluid end working pressure

no.	
:	
:	
psi	

Mud System  
 Total mud storage

no.	
-----	--

Solid Control System  
 Description of waste cutting and fluids equipment

--



**4.7 CEMENTING UNIT**

Make-type	:	[ ]
Max rated input power		
Working pressure		
	psi	

**4.8 RISER SYSTEM**

Riser	:	[ ]
Make and type		
Riser joint total length		
Riser pipe outside/inside diameter	m	
Riser tensioning system	in	
Make and type	:	[ ]
Max rated tension capacity		
	t	

**4.9 WELLHEAD CONNECTOR**

W.H. connector	:	[ ]
Make and type		
Diameter		
Rating working pressure	in	
	psi	

**4.10 WELL CONTROL EQUIPMENT**

<b>SUBSEA BOP STACK</b>	:	[ ]
Make and type		
Size and working Pressure		
Stack configuration		
Built as per API specification:		
Compliant to API STD 53		
Upper connector (LMRP) pressure rating:		
Emergency Control System:		
Secondary Control System:		
	yes/no	
	psi	

**4.11 TUBULARS**

Data of the Drill pipes (available)	:	[ ]
-------------------------------------	---	-----

**4.12 HELICOPTER DECK**

Accommodable Helicopters	:	[ ]
Built in Accordance with CAP 437	:	[ ]

**4.13 ACCOMODATION MODULE**

<b>LIVING QUARTERS</b>	:	[ ]
Compliant to rules /standard		
Total persons Capacity		
Beds Reserved to Company	No.	
	No	

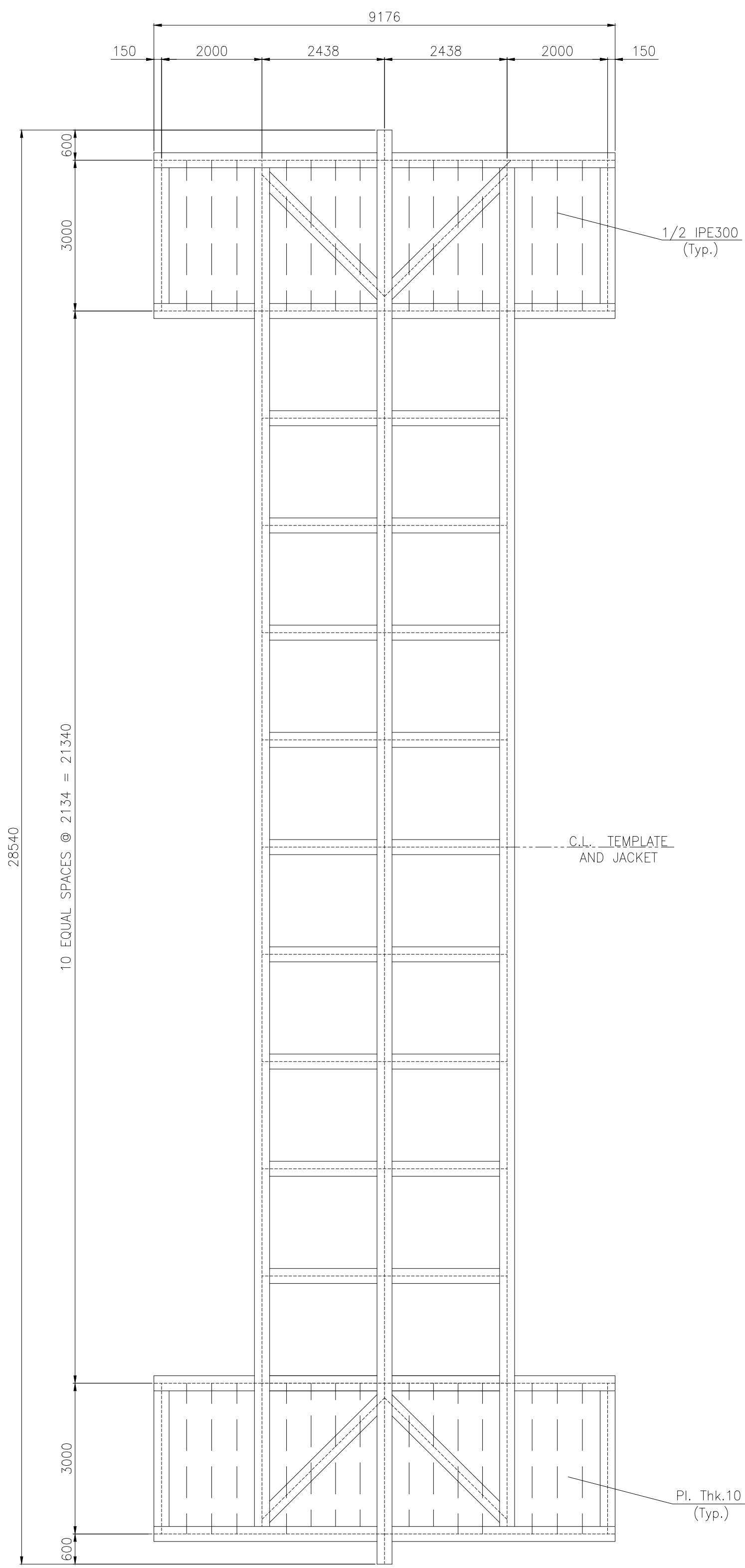
**4.14 H2S SERVICE**

Description of Main Safety Equipment	:	[ ]
Safety Breathing Equipment (CASCADE System)	yes/no	

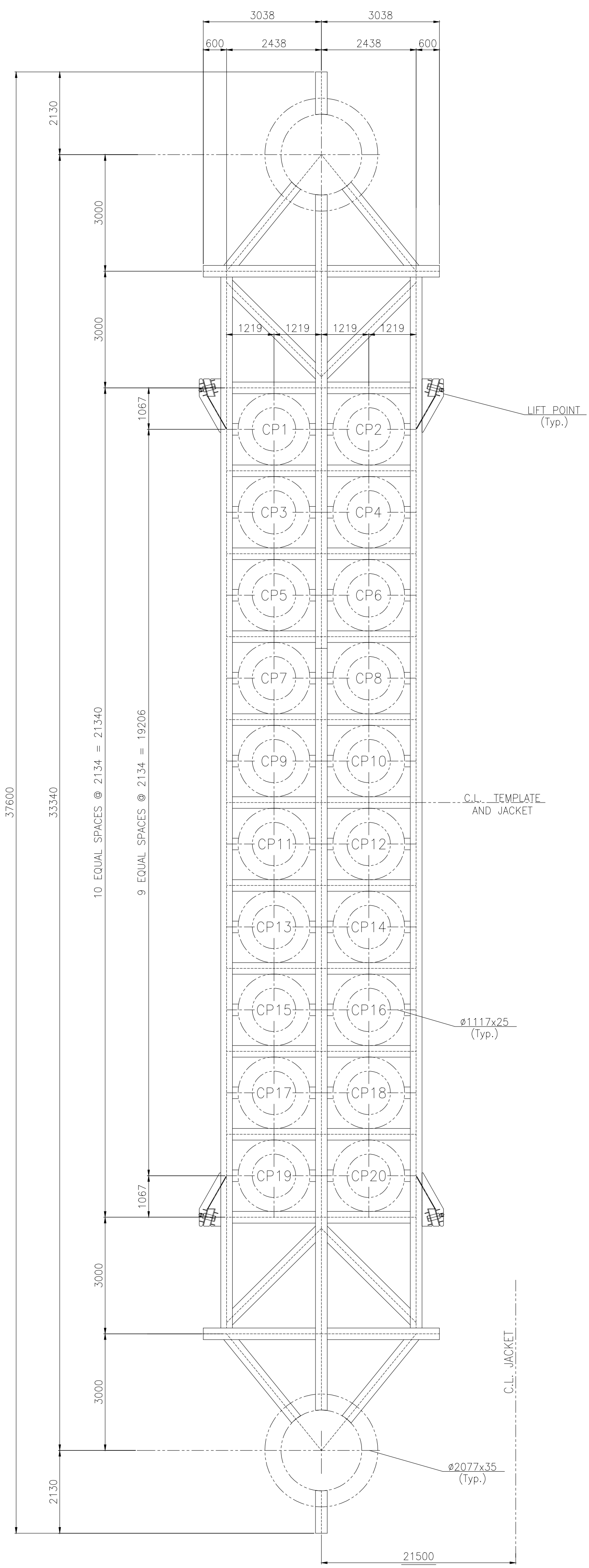


**5. ANNEX – STRUCTURE “E” PRE-DRILLING TEMPLATE PRELIMINARY DESIGN**

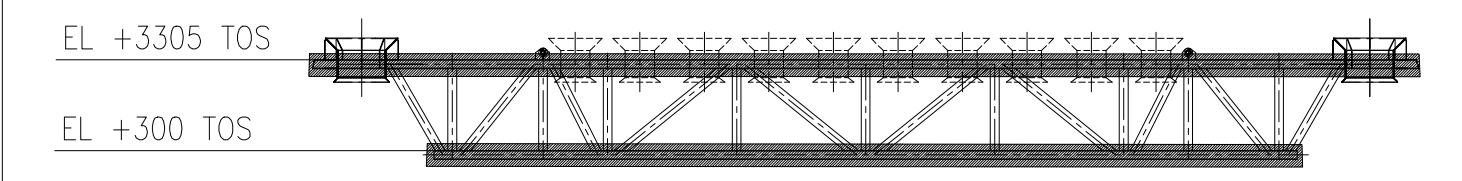
NUMBERS	TITLE
EN-100-D-S-1059-02-P2	PPE ELEVATIONS





FRAMING PLAN AT EL. +300 T.O.S.  
(ALL BEAMS TO BE HEA300)



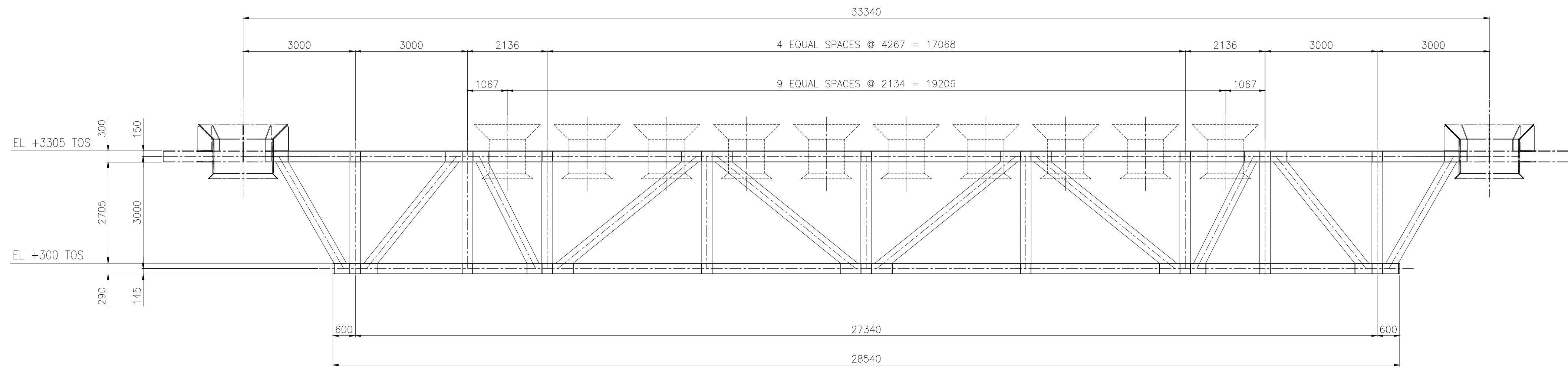
FRAMING PLAN AT EL. +3305 T.O.S.  
(ALL BEAMS TO BE HEA300)



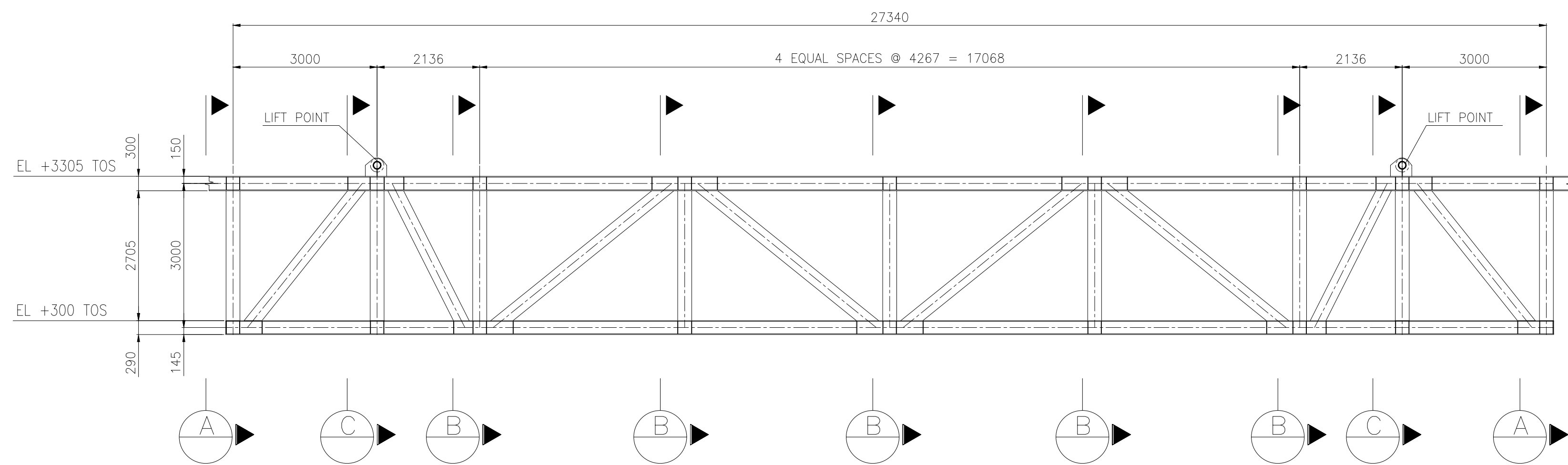
KEY ELEVATION

01	EV-FS	09/11/2018	ISSUE FOR FEED TENDER	Eni Project TEAM	Eni A. Mikigni	EniNA M. Salah	MOG
00	EV-FS	13/04/2018	ISSUE FOR COMMENTS	Eni Project TEAM	Eni A. Mikigni	EniNA M. Salah	MOG
Revision Number	Validity Status	Date	Description	PREPARED	VERIFIED	APPROVED	COMPANY APPROVED
Customer Logo and Business Name				Project Name		Company Document ID	
				 STRUCTURES A & E MELLITAH COMPLEX EXPANSION AND CO2 MANAGEMENT INTEGRATED DEVELOPMENT PROJECT		EN-100-D-S-1059-01-P2	
Facility and Sub Facility Name				Scale		Sheet of Sheets	
STRUCTURES A & E, MELLITAH COMPLEX EXPANSION AND CO2 MANAGEMENT				1 / 75		1 / 4	
Document Title				Supersedes N°		Superseded by N°	
PPE & WHPA PRE DRILLING TEMPLATE MAIN STRUCTURE PPE PLANS				Plant Area		Plant Unit	
				N.A.		N.A.	

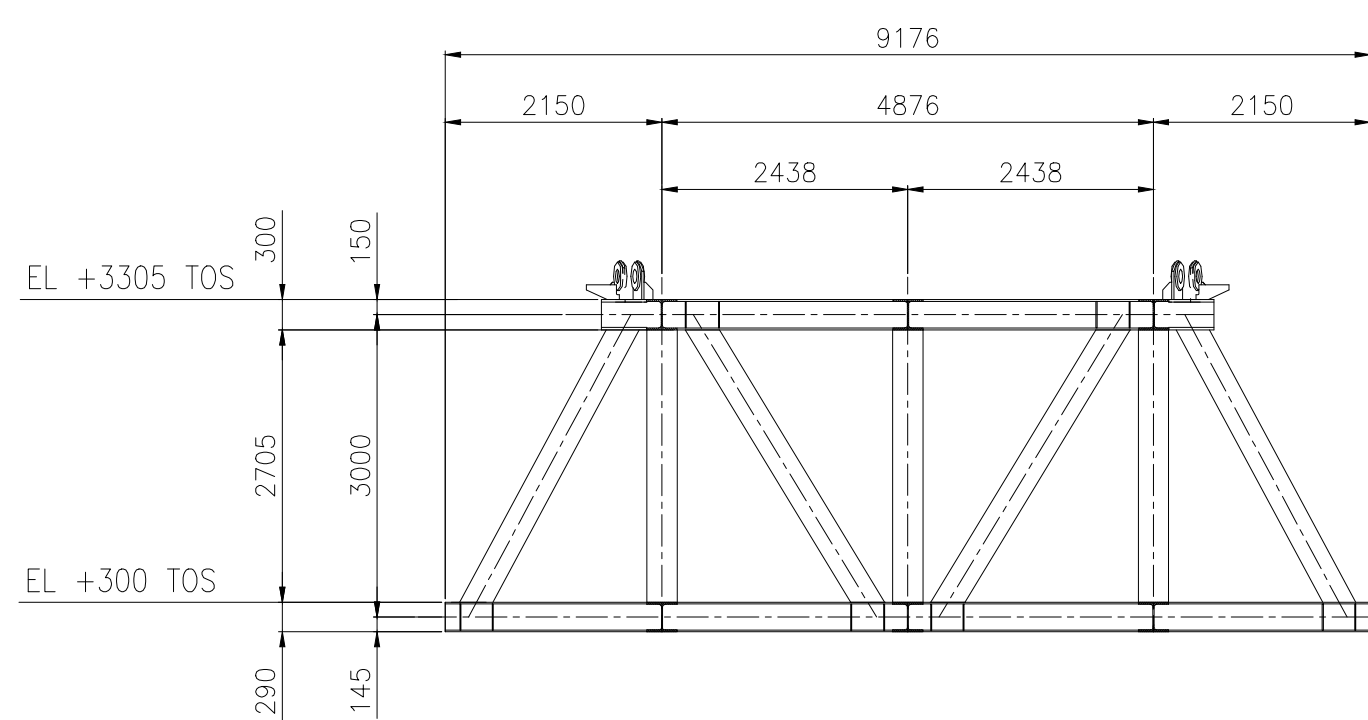




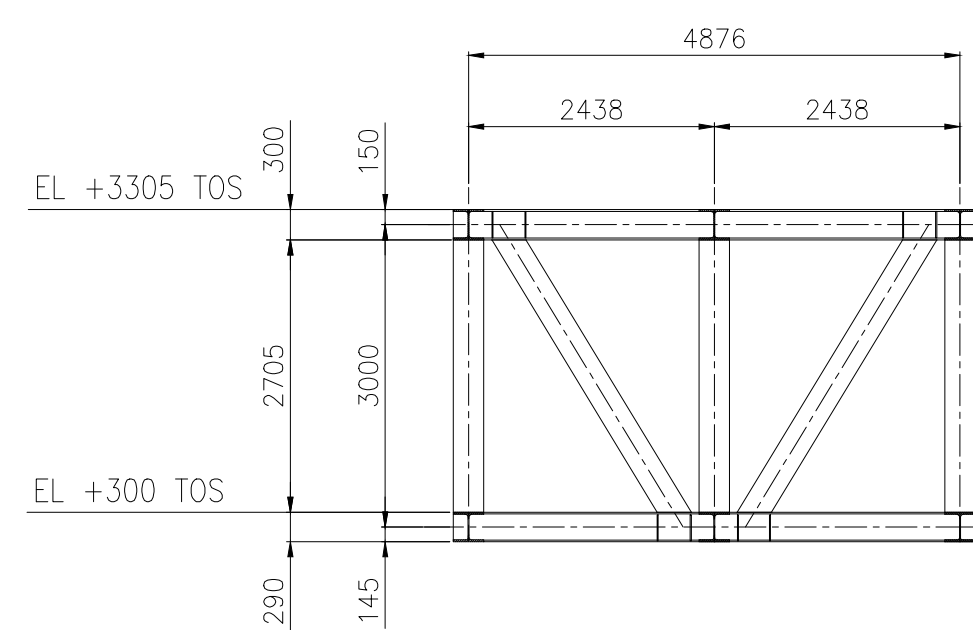
**CENTRAL TRUSS**  
(ALL BRACES AND COLUMNS TO BE HEA300)



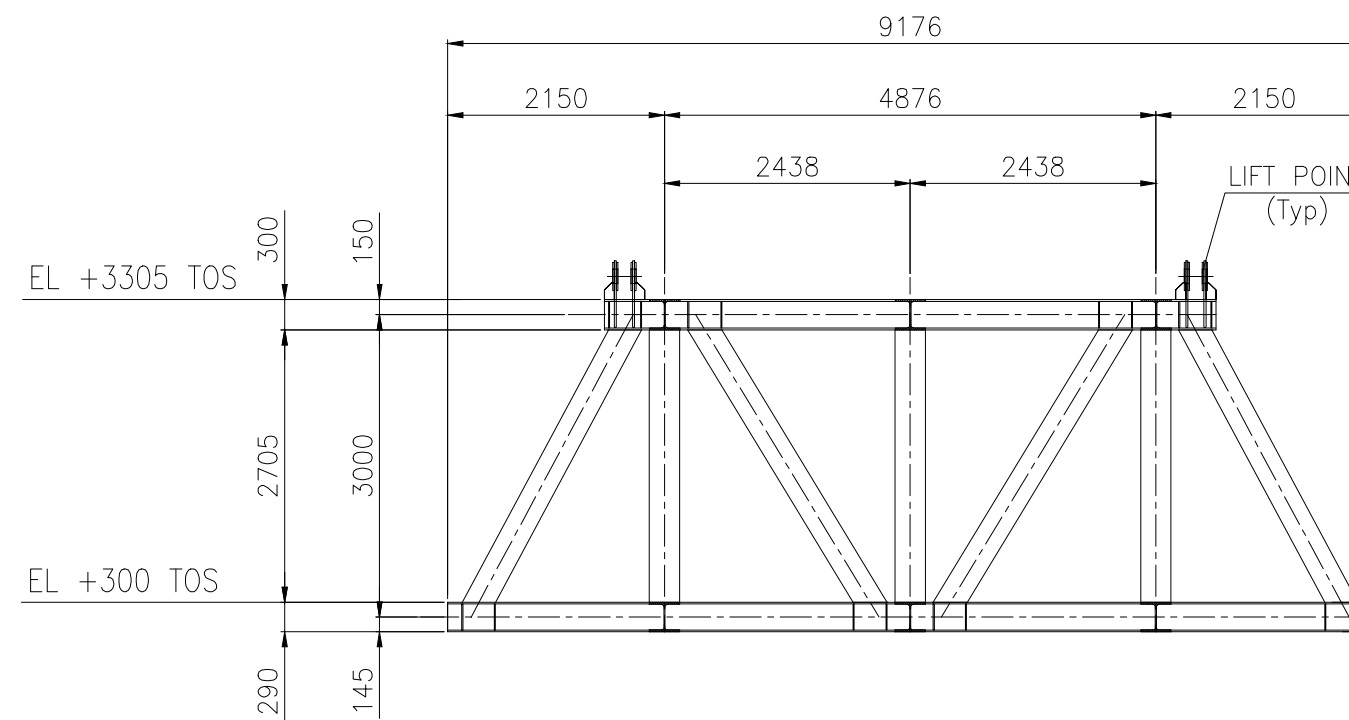
**EXTERNAL TRUSS (2 REQ.)**  
(ALL BRACES AND COLUMNS TO BE HEA300)



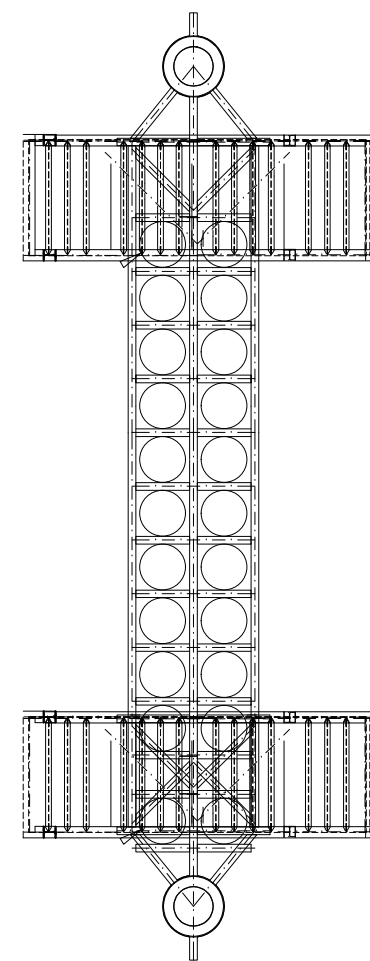
**SECTION A-A**  
(ALL BRACES TO BE HEA300)



**SECTION B-B**  
(ALL BRACES TO BE HEA300)





**SECTION C-C**  
(ALL BRACES TO BE HEA300)



**KEY PLAN**

REFERENCE DOCUMENTS	
NUMBERS	TITLE
EN-100-D-S-1059-01-P2	PPE PLANS

01	EV-FS	09/11/2018	ISSUE FOR FEED TENDER	Eni Project TEAM	Eni A. Mikigni	Eni/NA M. Saleh	MOG
00	EV-FS	13/04/2018	ISSUED FOR COMMENTS	Eni Project TEAM	Eni A. Mikigni	Eni/NA M. Saleh	MOG
Revision Number	Validity Status	Date	Description	PREPARED	VERIFIED	APPROVED	COMPANY APPROVED
Customer Logo and Business Name				Project Name		Company Document ID	
				 <b>STRUCTURES A &amp; E, MELLITAH COMPLEX EXPANSION AND CO2 MANAGEMENT INTEGRATED DEVELOPMENT PROJECT</b>		EN-100-D-S-1059-02-P2	
Facility and Sub Facility Name				Scale	Sheet of Sheets		
STRUCTURES A & E, MELLITAH COMPLEX EXPANSION AND CO2 MANAGEMENT				1 / 75	2 / 4		
Document Title				Supersedes N°		-	
PPE & WHPA PRE DRILLING TEMPLATE MAIN STRUCTURE PPE ELEVATIONS				Superseded by N°		-	
				Plant Area	Plant Unit		
				N.A.	N.A.		
				File No.	EN-100-D-S-1059-01-P2		